

**Traumatic pistol for
shooting cartridges with
elastic bullets
Fort-18R
caliber 9 mm P.A. / .45 Rubber**

SIA «Fort» of the MIA of Ukraine
600-richchya Street 27
Vinnitsa, 21027, Ukraine
tel. (0432) 46-73-26
fax (0432) 46-80-16
siafort@ukr.net

Operational manual

This operation manual is intended for the learning of the principle of action and rules of operations of traumatic pistol for shooting cartridges with elastic bullets "Fort-18R" caliber 9 mm P.A. and .45 Rubber (hereinafter - pistol), and contains information about the design, operating procedures, safety requirements, disassembly and assembly rules, cleaning, greasing, storage and guarantee statement.

You must always keep in mind that the pistol is a source of higher risk and can become the reason of unpredictable consequences both for shooter and surrounding people.

It always necessary to follow below safety indications to alert risks:

- 1 Only clean pistol is suitable for shooting.
- 2 Always handle with the pistol as if it is loaded and ready to shoot.
- 3 Always point the barrel in safe direction no matter if pistol is loaded or not.
- 4 The safety lever must be in position "safe" when the pistol is not used.
- 5 Clean and grease the pistol after shooting.

1 PISTOL DESCRIPTION

1.1 Function

The pistol is designed for equipping the law enforcement agencies during public order maintenance, for self-defense of persons, which have the right of use, carry and keeping, according with the law.

1.2 Technical specifications

1.2.1 Technical data is done in table 1.

Table 1

Type	Fort-18R	
Callber	9 mm P.A.	.45 Rubber
Minimum distance for live target shooting , m	3,5	3,5
Maximum firing range,m	10	10
Trigger pull force, N:		
a) by the preliminary cocking, not more	30	30
b) by self-cocking, not more	65	65
Capacity of the magazine, cartridges	16	8
Overall sizes of the pistol, mm, not more:		
length	207	207
height	131	131
width	34	34
Weight with an empty magazine,kg, not more	0,76	0,76

- 27 firing-pin
- 28 firing-pin plug
- 29 ejection slot
- 30 extractor
- 31 extractor plunger
- 32 extractor spring
- 33 safety lever pin
- 34 safety lever pin spring
- 35 slide stop
- 36 magazine locking button
- 37 magazine locking button spring
- 38 rear sight
- 39 front sight
- 40 pistol grip screws
- 41 magazine body
- 42 magazine floor plate
- 43 magazine base
- 44 magazine follower
- 45 magazine spring
- 46 rear sight holder

List of parts for figures 1, 2, 3

- 1 frame
- 2 slide
- 3 back strap
- 4 magazine
- 5 safety lever
- 6 barrel with the cartridge chamber
- 7 recoil spring
- 8 recoil spring guide
- 9 trigger
- 10 trigger axis
- 11 trigger bar spring
- 12 trigger bar axis
- 13 trigger bar
- 14 sear housing with ejector
- 15 sear
- 16 sear axis
- 17 sear spring
- 18 interrupter
- 19 hammer
- 20 hammer axis
- 21 pusher
- 22 pin of the hammer pusher and stop of the firing spring lever
- 23 firing spring
- 24 firing spring lever
- 25 firing spring stop
- 26 firing-pin spring

28

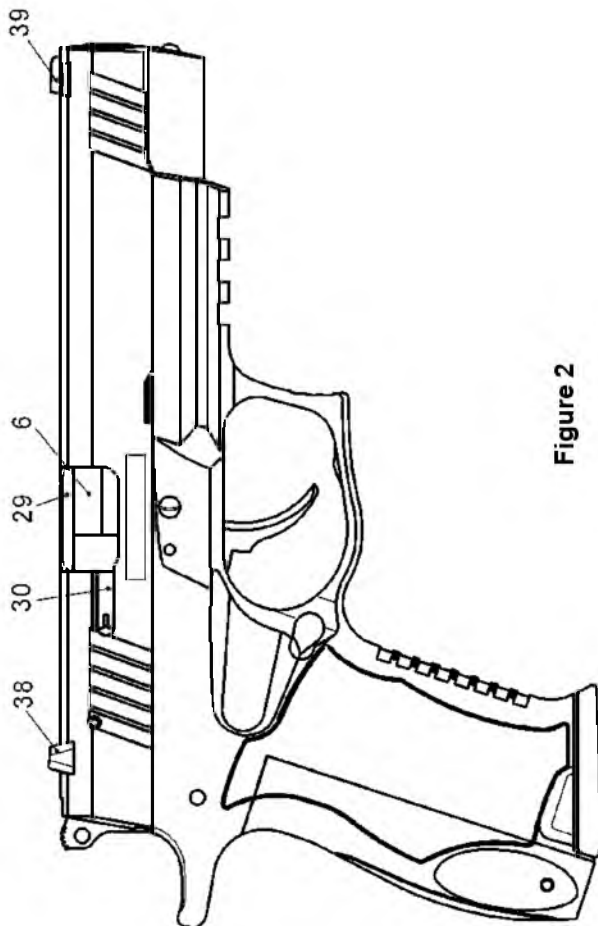


Figure 2

26

1.2.2 For shooting from the pistol you should use cartridges, equipped with the elastic bullet of non-lethal action, which are certificated.

1.2.3 The pistol design eliminates the possibility of shooting with ball-cartridges intended for firearms and provides impossibility of replacement of the basic parts with similar parts from military or sport guns.

1.3 Scope of supply

The pistol is supplied in such completeness:
 pistol with the magazine.....1 pce
 wiper.....1 pce
 operation manual.....1 pce
 individual package.....1 pce

1.4 Safety measures

Before usage of the pistol learn operating procedures, safety requirements, maintenance rules, which are done in this manual.

It is forbidden: shooting on a live target for distance less than 3.5m, aimed fire on head, neck, genitals, bust, preppers.

Pistol constructions disallows shooting by ball ammunition, because it can lead to traumatize shooter and surrounding persons.

Pistol constructions disallows replacement of details for similar parts of sport or combat arms.

During loading or discharging of the pistol, point the barrel in the safe direction.

Discharge the pistol after end of the firing, and before disassembling, cleaning and greasing.

5

is double action and provides fire as with precocked hammer, so with self-cocking firing.

Firing mechanism, which puts into operation percussion primer of cartridge, is hammer type.

The appearance and location of the pistol controllers are given in figures 1 and 2, and the location of the pistol parts in figure 3.

The pistol consists of:

- frame, which is made of the reinforced polymer material; barrel which is rigidly fixed in frame; slide which glides in the frame grooves; magazine, inserted into the pistol handle;

- hammer type and double action trigger mechanism, which is located in the frame. It allows to make a shot, as with precocked trigger, and by self-cocking;

- recoil spring, which is located under the barrel and surrounds the guide;

- safety lever which in "safe" position provides: blocking of slide with frame, sear and hammer blocking, on both positions - with cocked hammer and half-cocked. The safety lever ledge is located in front of firing pin, which prevents accidental striking of firing pin by hammer;

- slide stop lever, that holds the slide in rearmost position after fire the last cartridge from the magazine. When slide stop lever is pressed down, slide sets in forward position;

- open-type sights - front and rear sight.

7

Keep your finger away from the trigger until pistol is aimed to the target.

Keep the pistol and cartridges separately in places which are reliably closed and unattainable for others.

The pistol must be always clean and greased. Cleaning and greasing of the pistol should be done in accordance with instructions, which are given in section 3 of this manual.

Never load and do not keep the pistol loaded, if you aren't going to fire. Never leave a pistol with the cocked hammer even if it is unloaded.

Check to be sure that manual safety lever is in the position "safe" (red dot on the slide is covered by safety lever) in such cases:

- when firing is finished
- during inserting magazine into the pistol
- when the pistol is not used

ATTENTION!

UNAUTHORIZED REPLACEMENT OF DETAILS AND CHANGE OF THEIR CONSTRUCTION IS FORBIDDEN AND PUNISHED IN COMPLIANCE WITH LAW.

1.5 Pistol design and operation concept

This pistol is self-loading, provides only single shot firing while single pressing of the trigger.

Feeding mechanism is with magazine ammunition feeding and provides feeding of cartridges to loading line.

Breech mechanism is intended for locking and unlocking of barrel bore - blowback operated; slide is not locked with barrel while shot and recoil after shot.

Trigger mechanism (which activates the hammer)

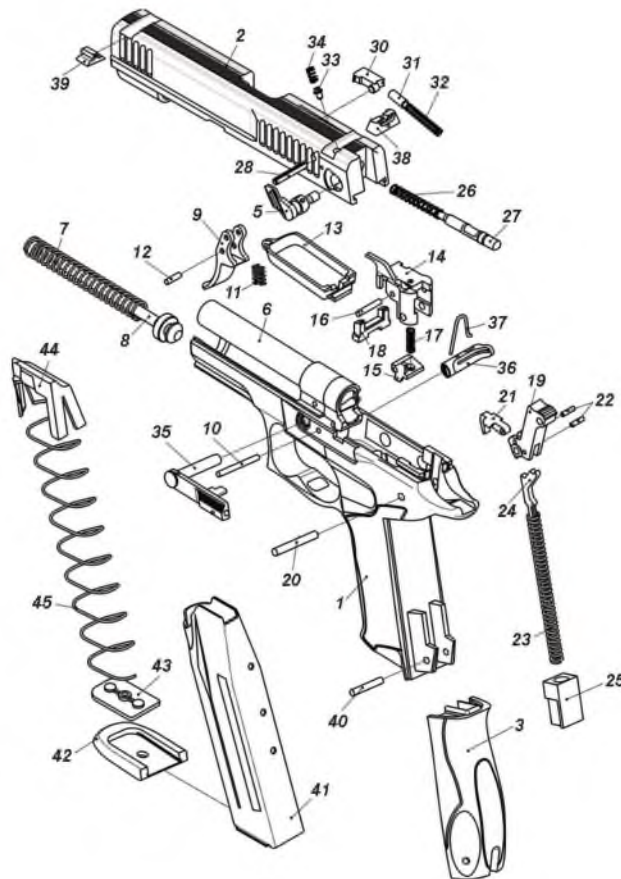


Figure 3

1.6 Operation description

1.6.1 The pistol firing operation with precocked hammer.

A cartridge is in the cartridge chamber, hammer holds in the cocked position by the sear, firing spring is compressed, safety lever is in fire position.

A shot is carried out by pressing the trigger, which turns the sear through the trigger bar and releases the hammer. Under the influence of compressed firing spring, released hammer strikes the firing pin, which breaks the percussion primer. The shot is happened.

The energy of powder gases pushes the cartridge forward along the barrel and forces the slide to move back.

The moving back slide presses the recoil spring extracts the case by the extractor from the cartridge chamber. The case ejects outside after the contact with the ejector through the ejections slot. The interrupter runs out from the slide holes, falls down and pushes back end of the trigger bar low of sear shoulder-blades. The released sear under the pressure of the sear spring braces to the hammer surface, which is pressed by the slide.

Under the influence of compressed recoil spring the slide moves forward, chambers the cartridge from the magazine to the cartridge chamber, hammer is holding by sear in cocked position.

Slide closes the cartridge chamber after reaching of front position, extractor hook enters into case groove of cartridge, interrupter enters into slide notches, it goes up and releases back end of the trigger bar.

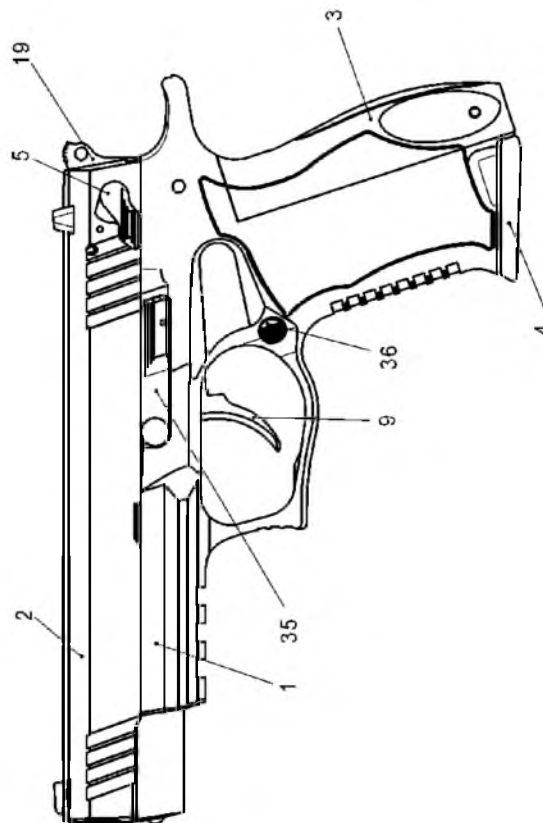


Figure 1

9 INFORMATION ABOUT PRESERVING AND PACKING

Traumatic pistol for shooting cartridges with elastic bullets "Fort-18R" caliber 9 mm P.A. / .45 Rubber with factory number _____ is preserved and packed in accordance with requirements of the valid technical documents.

Executed preservation _____

Executed packing _____

Preservation date " ____ " _____ 20 ____

L.S.

24

5 STORAGE OF THE PISTOL

For a long-term storage of the pistol it is necessary to carry out its preserving. Preserving procedure is done in the section 3.10 of this manual. After preserving wrap up the pistol with paper.

Preserved and packed pistol must be stored in closed storehouses, where temperature and humidity fluctuation are less than in open air.

Maximum storage term of the preserved pistol is no more than one year from the preserving.

6 TRANSPORTATION

The pistol in the original packing get transported by any transport for any distances: in the covered railroad car, covered cars, air-tight apartments of airplanes in accordance with rules of transportation with the proper transport. During the transportation must be assured position of boxes, which excludes the possibility of their strokes at one another.

7 CERTIFICATE OF ACCEPTANCE

Traumatic pistol for shooting cartridges with elastic bullets "Fort-18R" caliber 9 mm P.A./ .45 Rubber factory number _____ is made and accepted in accordance with requirements of normative documents, technical documents and this pistol is recognized as suitable for exploitation.

Executed acceptance _____

L.S. " ____ " _____ 20 ____

Sold _____

L.S. " ____ " _____ 20 ____

22

While releasing of the trigger, trigger bar moves forward, back end of the trigger bar goes up under the pressure of trigger bar spring and places opposite sear's shoulders. Pistol is again ready to shoot.

1.6.2. Pistol operation while self-cocking fire

The cartridge is in the cartridge chamber. Trigger is in the half-cock position, firing spring is released, safety lever is in "fire" position.

A shot is carrying out by pressing on the trigger, which through the trigger bar and pusher turns hammer around an axis and compresses the firing spring, simultaneously, trigger bar turns the sear and releases the hammer. When the hammer became in unstable position, while turning around an axis, compressed firing spring expands and forces the hammer to strike the firing pin.

Further work of the pistol is described in section 1.6.1 of this manual.

1.7 Marking

At the pistol slide should be applied the following marking: manufacturer trademark; shot title of the pistol - Fort 18R; proper caliber - 9 mm P.A. or .45 Rubber; words "Made in Ukraine"; national mark of conformity if given certificate of conformity. Serial number is applied on the pistol frame and slide.

1.8 Packing

The pistol in completeness according to section 1.3 of this manual is packed in individual packing box suitable for storage.

9

same way press another cartridges. To extract cartridges of the magazine, press cartridges by thumb in the forward direction.

2.3 Loading and firing instructions

2.3.1 Make sure that the safety lever is in the "safe" position.

Insert loaded magazine in the handle of the pistol. Keystroke of magazine fixation is accompanied by a specific sound.

2.3.2 For shooting with precocked hammer, point the barrel in a safe direction, turn the safety lever to "fire" position. Pull the slide back fully and release. The pistol is loaded and ready for the shot (cartridge is in the cartridge chamber, hammer is cocked).

Aim and pull the trigger. After the first shot, the hammer will automatically cock; case ejection through the ejection slot and next cartridge feeding to the chamber will be performed automatically. To continue fire must release and press the trigger till using all magazine rounds.

2.3.3 For fire in self-cocking mode, point the pistol barrel in a safe direction. Put safety lever to "fire" position. Pull the slide back fully and release (cartridge in the chamber, the trigger is cocked). Holding the hammer with your thumb, press the trigger and slowly move the hammer from full cock to safe position. Pistol is ready to self-cocking fire.

During the execution of the self-cocking shot, aim, press the trigger, after first shot cocking of the hammer, case ejection through the ejection slot and feeding of new cartridge into the chamber from the

11

2 PISTOL OPERATION

2.1 Safety instructions

2.1.1 Always follow the safety instructions for your safety and safety of others.

Carry the checking of pistol safety in following cases:

- when receiving or transferring the pistol;
- upon arrival to the place of fire;
- after the shooting;
- before exiting of the shooting range;
- before conducting of maintenance.

2.1.2 To test the safety of the pistol, follow the steps below:

- check the safety lever, make sure that it is set in a "safe" position;
- make sure that the magazine is disconnected from the pistol;
- point the barrel of the pistol in a safe direction;
- put the safety lever in the "fire" position;
- while holding the barrel of the pistol in safe direction, move slide in rearmost position, check the chamber through the ejection slot, make sure that it is empty, release the slide;
- by holding the barrel of the pistol in a safe direction, press the trigger (control shot);
- set the safety lever in the "safe" position.

2.2 Magazine loading

Keep magazine in upright position, and put cartridge on follower, ahead magazine lips. Press on the cartridge and push it under the magazine lips, in the

10

magazine – will be done automatically. To continue the shooting it is necessary to release and press the trigger.

2.3.4 After firing by the last cartridge from the magazine, the slide is held by slide stop in the rearmost position. Magazine is empty. To continue the shooting, press magazine locking button and support the drop-down empty magazine. Insert into the handle loaded magazine. Press the slide stop lever down. Pistol is loaded again and ready to fire.

2.3.5 After the shooting, if not all rounds are used the slide is in forward position. Move the safety lever in the "safe" position. If cartridges are fully used slide is held by slide stop in the rearmost position. Press the slide stop lever down, slide will set to the forward position; remove the safety lever to the "safe" position.

2.4 Unloading instructions

2.4.1 Press the magazine catch and remove the magazine.

2.4.2 Check the pistol safety as shown in 2.1.2 of this manual.

2.4.3 If cartridge was in the chamber during checking of the pistol safety, it will be ejected from the chamber. Pick ejected cartridge through ejection slot.

2.4.4 Remove unused cartridges from the magazine, as stated in 2.2 of this manual; insert an empty magazine in the handle slot of a pistol.

12

8 WARRANTY

The manufacturer guarantees conformity of the pistol to the requirements of normative documents at the observance of the exploitation rules, transportation and storage, which are described in this manual.

The warranty is 12 months from the day when the pistol was sold.

SIA «FORT» removes discovered defects during the warranty free of charge, under the condition of observing all rules of exploitation and pistol storage, which are mentioned in this manual.

For fulfilling of the guarantee repair the owner must send the pistol and this manual to SIA «FORT» to address:

600-richchya Street, 27, Vinnitsya, 21027, Ukraine

SIA «FORT» repairs the pistol after the end of warranty for the owner's cost.

23

End of table 4.1

Malfunction	Possible reason	Remedy
Pinching of the cartridge between the face of the slide and breech end of the barrel while sending the cartridge to the chamber	1. Magazine pollution. 2. Straightening of magazine lips. 3. The magazine is not fixed by magazine catch button	1. Pull out the magazine, take the slide back, pull out the pinched cartridge. Go on firing. 2. Unload the pistol, change the magazine. Send the defective magazine to the workshop. 3. Pull out the magazine. Take the slide back, pull out the damaged cartridge, insert magazine, go on firing.
Blocking of bullet in the bore. Slide is in the rearmost position. Increased recoil and intense sound were during previous shoot	1. Barrel bore pollution. 2. Cartridge damage	Unload and disassembly the pistol, push by wiper the cartridge in the chamber direction. Clean the barrel bore, check the disassembled pistol; if there is no extractor - sent the pistol to the workshop, align the ejector if it is bend.

21

4 POTENTIAL PROBLEMS

Common troubles and remedies are listed in the table 4.1

Table 4.1

Malfunction	Possible reason	Remedy
Misfire. The slide is in the extreme front position, the hammer is decocked, but the shot is failed	1. Cartridge defect. 2. Condensation of lubricant; firing-pin channel is polluted or the firing-pin is rubbed out. 3. Precipitating or fracture of the firing spring	1. Reload the pistol. Go on the shooting. 2. Unload the pistol, disassemble it, examine and clean. If firing-pin is rubbing out, send the pistol to the workshop. 3. Unload the pistol and send it to the workshop
Delay of a cartridge by the slide. The slide stopped without reaching the extreme front position	1. Cartridge chamber pollution. 2. Damage or precipitation of the recoil spring	1. Push the slide manually forward and go on firing. 2. Discharge the pistol and send it to the workshop
Cartridge-case is jammed by the slide. The slide is in the midtravel position	1. Contamination of the pistol movings parts. Poor round charge. 2. The ejector is out of the order	1. Pull out the magazine, remove the case by taking of the slide back, throw away the cartridge-case and go on firing. 2. Unload the pistol and send it to the workshop

stripping instructions”, 3.4 “Pistol disassembly” and 3.5 “Magazine disassembly”

3.9 Inspection of the pistol function

Without inserting magazine into pistol handle, point the pistol barrel in a safe direction, turn the safety lever to “fire”.

Take the slide in rearmost position and inspect the chamber through ejection slot, it must be empty.

Release the slide, under the action of recoil spring it has to set in the forward position, the hammer should remain on “fire” position.

Press the trigger (idle). Put safety lever to the “safe.” The hammer is fixed in the safety position. Slide is coupled with the frame. While pressing the trigger (self-cocking) hammer is not cocked. Put safety lever in “fire” position, cock the hammer by pressing it by thumb, set the safety lever in the “safe” position. Press the trigger. The hammer is fixed and it does not cut down from cocked position, slide is coupled with frame.

Insert an empty magazine and check its fixation in the handle of the pistol.

Put the safety lever to “fire” position, pull the slide in the rearmost position and release it. The slide is held in the rearmost position by slide stop. Press the slide stop lever, slide sets in the front position, the hammer is cocked, press the trigger. Pull out the magazine, pull the slide in the rearmost position and release, the slide sets in the front position, the hammer is cocked, press the trigger, the hammer strikes the firing pin. Press the trigger, the hammer cocks and it does not stop in the safety position, strikes the firing pin (self-cocking firing).

2.5 Handling operations in case of firing delay

The list of delays and handling operations are below:

1) if you pull the trigger and hammer is released, but the shot failed - reload the pistol and continue the shooting;

2) slide did not reach the extreme front position after the automatic reloading and hammer is not released - move with your hand the slide forward and continue the firing, if it is impossible, follow actions according to item 3;

3) during automatic reloading when the cartridge is jammed between the face of slide and breech - point the barrel in a safe direction, press the magazine locking button and disconnect magazine, pull back the slide, pull out the jammed cartridge, insert the loaded magazine, reload the pistol and continue shooting.

3 MAINTENANCE INSTRUCTIONS

3.1 General

Carry out maintenance of the pistol immediately after end of the shooting.

With a large number of shoots for one day, carry maintenance after every 50 rounds.

If the pistol is not used, maintenance must be made weekly.

Sequence of the maintenance:

- disassemble the pistol and the magazine;
- clean the pistol and magazines;
- check the disassembled pistol;
- lubricate and assemble the pistol;
- check the operation of the pistol after assembling.

with the frame. Disconnect firing spring stop from the firing spring lever, remove the firing spring from the lever.

Push out the hammer axis by drift pin or by hammer spring lever. Pull out sear housing with ejector from the frame, pulling it upwards, and then pull the interrupter and hammer. Push out the sear axis from the housing and remove the sear and sear spring.

By wiper through the slot of handle deflect the right (curved) end of magazine locking button spring left/up so, that curved end runs out of deepening of the button, by holding compressed spring pull out its direct end from button hole, push the spring out of the frame groove, then pull magazine locking button out of the frame groove.

Push out the trigger axis by drift pin and pull down the trigger so, that the joint of the trigger with trigger bar exit out of the frame. Push out the rod axis by drift pin, and disconnect the trigger bar from the trigger. Pull the trigger bar through the up slot of the frame, then the trigger with trigger bar spring. Pull the trigger bar spring from the trigger hole.

Press by wiper on rear part of firing pin against stop. By turning the safety lever, pull it out from the slide seat.

Push out the firing-pin plug by drift pin at right or left side of slide. Holding by hand the firing pin, pull out the drift pin, then separate the firing pin and slide, spring and firing pin.

Press by wiper the extractor plunger, while pressing the forward part of the extractor by the finger and, turning it around the hook end, pull from the slide seat. Remove the plunger and spring from the slide hole.

3.2 Preparation for the disassembly

Check the safety of the pistol, as described in 2.1.2 of this manual.

3.3 Field stripping instructions

Remove the magazine, set the safety lever to the "safe" position.

Lift up the rear edge of the slide stop lever and then press the slide stop axis by cleaning brush or magazine. Remove the slide stop.

Pull the slide in rearmost position by left hand, by holding the pistol by right hand, lift up the rear of the slide, and releasing it forward remove it from the barrel. Remove the recoil spring guide with recoil spring from the frame, disconnect the recoil spring from its guide.

3.4 Complete disassembly of the pistol

It is not recommended to carry out complete disassembly often, because it leads to premature wear of the pistol mechanism.

Carry out complete disassembly only in case of strong pollution or operation in severe conditions (rain, snow, sand dust, high humidity). Carry out field stripping of the pistol as directed by section 3.3 of this manual.

Holding the hammer with your thumb, pull the trigger, slowly pull the hammer from full cock to half cock.

Unscrew by cleaning brush screws of the handle, put back the plastic handle of the pistol and disconnect it from the frame.

Press by the cleaning brush the low of firing spring stop and push it up till firing spring stop will unhook

14

3.5 Magazine disassembly

Before disassembly of the magazine, take out all cartridges. Press the magazine floor plate by the drift pin and carefully move it forward, holding the bottom of the magazine. Put out the bottom and magazine spring with follower.

3.6 Cleaning of the pistol

Cleaning of the pistol carry out by special lubricating oil. Cleaning of the barrel channel carry out by special cleaning fluid in the following order:

- stretch square of cloth through the wipe port. Mat thickness of cloth should be such that the cleaning brush enters into the barrel bore with little effort;
- moist the cloth by lubricating oil;
- insert the cleaning brush in the barrel bore and slowly slide it along the length of the bore several times;
- replace the cloth and clean again;
- repeat cleaning as long as on a clean cloth will not remain traces of dirt or soot;
- wipe dry the barrel bore by clean and dry cloth.

Clean the slide from dirt and moisture with a cloth moistened with lubricating oil and squeeze. Thoroughly clean the place around ejector and firing pin.

The rest of details and mechanisms, as well as magazine body, wipe dry with a cloth to the complete removal of traces of soot, dirt and moisture.

NOTE. During the first cleaning it is necessary to clean storage compound, carefully wiping details with the square of cloth, which is slightly moistened by weapon lubricating oil and squeezed out.

16

3.10 Preserving

The manufacturer carries out canning/preserving of the pistol. Maximum term of the pistol storage without repeated preserving is no more than one year.

For depreserving of the pistol it is necessary to carry out its complete disassembly and cleaning, in accordance with section 3 of this manual.

At achieving of the maximum term of its storage or in case when the pistol is not used for a long time, it is necessary to carry out depreservation by using of the method of putting thick layer of gun oil on its internal and external surfaces.

Use the wiper, which is included in the set of supply, square of cloth and gun oil during carrying out of the pistol preservation and depreservation.

19

3.7 Inspection of the disassembled pistol

Carre the inspection of the disassembled pistol after cleaning.

There should not be any defects on details that affect the working capacity, durability and safety of the pistol, namely:

- there must be no deformation, swellings and splits on the barrel and chamber;
- there must be no crack, stratifications, metal breach on the slide;
- there must be no breaks, especially in the back part and the seat of the hammer, on the frame;
- the firing pin should move freely in the slide channel;
- there must be no chips on the extractor hook and hammer head;
- there must be no cracks and layers on magazine lips;
- magazine lips must not be deformed;
- all details of the pistol must have no any disunities, deformations and blight.

3.8 Lubrication and assembly of the pistol

After cleaning and inspection of the disassembled pistol, lubricate components and pistol mechanism by lubricating oil.

Apply a thin coat of oil with a cloth moistened with oil and squeezed out.

Remove oil flows by dry cloth.

Carry out assembling of the pistol and magazine in the reverse sequence as described in section 3.3 "Field

17