

**Device for shooting
cartridges equipped with
elastic bullets of
non-lethal action
"Fort-17R"
caliber 9 mm P.A.**

SIA «Fort» of the MIA of Ukraine
600-richchya Street 27
Vinnitsa, 21027, Ukraine
tel. (0432) 46-73-26
fax (0432) 46-80-16
siafort@ukr.net

Operational manual

This operation manual is intended for the learning of the principle of action and rules of operations of device for shooting cartridges equipped with elastic bullets of non-lethal action "Fort-17R" caliber 9 mm P.A. (hereinafter - pistol) and contains information about the design, operating procedures, safety requirements, disassembly and assembly rules, cleaning, greasing, storage and guarantee statement.

You must always keep in mind that the pistol is a source of higher risk and can become the reason of unpredictable consequences both for shooter and surrounding people.

It always necessary to follow below safety indications to alert risks:

- 1 Only clean pistol is suitable for shooting.
- 2 Always handle with the pistol as if it is loaded and ready to shoot.
- 3 Always direct the barrel in safe direction no matter if pistol is loaded or not.
- 4 The safety lever must be in position "safe" when the pistol is not used.
- 5 Clean and grease the pistol after shooting.

1 PRODUCT DESCRIPTION

1.1 Function

The pistol is designed for equipping the law enforcement agencies during protection, for self-defense of persons, which have the right of use, carry and keeping, according with the law.

1.2 Technical characteristics

1.2.1 Technical data:

Caliber, mm.....	9 mm P.A.
Minimum distance for live target shooting , m.....	3,5
Maximum firing range,m.....	10
Trigger pull force, N:	
a) by the preliminary cocking, not more.....	35
b) by self-cocking, not more.....	75
Capacity of the magazine, cartridges.....	16
Overall sizes of the pistol, mm, not more:	
length.....	179
height.....	131
width	35
Weight with an empty magazine, kg, not more.....	0,68

1.2.2 For shooting from the pistol you should use cartridges, equipped with the elastic bullet of non-lethal action, which are certificated.

33 safety lever pin
34 safety lever pin spring
35 slide stop
36 magazine locking button
37 magazine locking button spring
38 rear sight
39 front sight
40 back strap screws
41 magazine body
42 magazine floor plate
43 magazine base
44 magazine follower
45 magazine spring
46 rear sight holder

Pistol “Fort-17R”: parts list for figures 1, 2, 3

- 1 frame
- 2 slide
- 3 back strap
- 4 magazine
- 5 safety lever
- 6 barrel with cartridge chamber
- 7 recoil spring
- 8 recoil spring guide
- 9 trigger
- 10 trigger axis
- 11 trigger spring
- 12 trigger spring axis
- 13 trigger bar
- 14 sear housing with ejector
- 15 sear
- 16 sear axis
- 17 sear spring
- 18 interruptor
- 19 hammer
- 20 hammer axis
- 21 pusher
- 22 pins of the pusher and firing spring lever
- 23 firing spring
- 24 firing spring lever
- 25 firing spring stop
- 26 firing-pin spring
- 27 firing-pin
- 28 firing-pin plug
- 29 slide slot
- 30 extractor
- 31 extractor plunger
- 32 extractor spring

1.2.3 The pistol design eliminates the possibility of shooting with ball-cartridges intended for firearms and provides impossibility of replacement of the basic parts with similar parts from military or sport guns.

ATTENTION!
UNAUTHORIZED REPLACEMENT OF DETAILS AND CHANGE OF THEIR CONSTRUCTION IS FORBIDDEN AND PUNISHED IN COMPLIANCE WITH LAW.

1.3 Scope of supply

The pistol is supplied in such completeness:
 pistol with the magazine.....1 pcs
 wiper.....1 pcs
 operation manual.....1 pcs
 individual package.....1 pcs

1.4 Pistol design

This pistol is self-loading with magazine feed. The action principle is based on using recoil energy of free slide, reliability of locking of cartridge chamber is provided by the recoil spring pressure and slide weight.

The appearance and location of the pistol controllers are shown in figures 1 and 2, and the location of the pistol parts in figure 3.

The pistol consists of:

- frame with rigidly fixed barrel;
- magazine, inserted into the frame;
- slide which glides in the frame grooves;

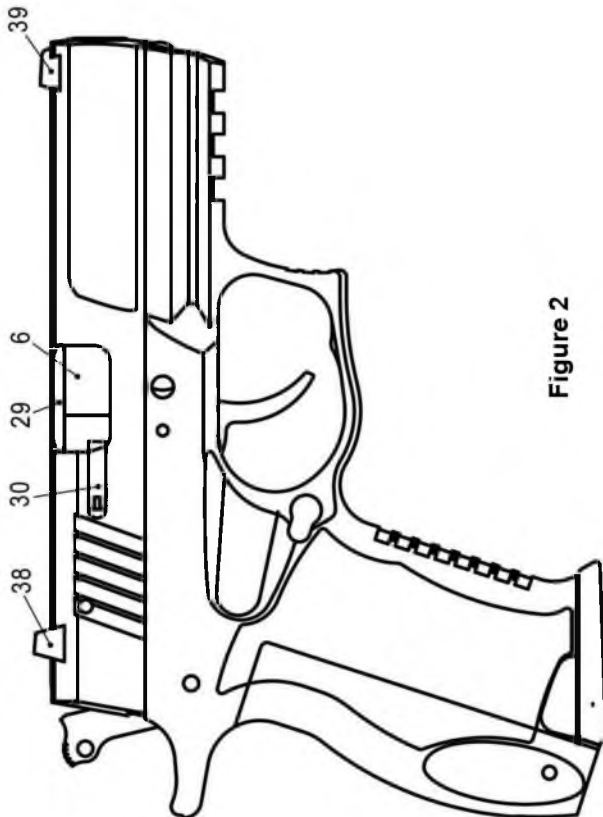


Figure 2

under the pressure of the firing spring strikes the firing pin, the acicular end of which strikes the cartridge igniting primer, located in the cartridge chamber, the shot happens. The energy of powder gases pushing the bullet forward on the barrel and the slide moves back.

The moving back breech-block slide presses the recoil spring; spent case engaged by the extractor hook, ejects from the cartridge chamber and after contact with the ejector, extracts outside. During the slide moving back, the interruptor runs out from the slide holes and brings the pull down of sear shoulder-blades; the released sear under the pressure of the sear spring braces to the hammer surface, engages to the hammer spur of full cock and stay hammer cocked.

When the slide, under the pressure of the recoil spring stays in the front position, the slide holes appear against the interrupter ledges. While releasing the trigger the pull under the pressure of the trigger spring brings up the interrupter, which enters into the slide grooves, herewith, the back bevel of the pull is set in front of the sear shoulder-blades. The pistol is again ready for firing: the hammer is cocked, the cartridge is closed in the cartridge chamber by the breeching face, back bevel of the pull is opposite to the sear shoulder-blades. To continue fire press again the trigger.

For self-cocking shooting (hammer is in half-cock, cartridge is closed in the cartridge chamber by the breeching face), by pressing the trigger, the moving back pull presses on the crosscut ledges of the pusher which returns the hammer around axis, and the firing spring is

- recoil spring which surrounds the guide;
- self-cocking trigger mechanism with double action. It performs shot, as in pre-cocked the trigger, and when it is uncocked;
- safety lever which is in the position "safe" provides: blocking slide with the frame, sear blocking, on both positions -with cocked hammer and half-cocked, the safety lever ledge located under the firing pin, blocks it, which prevents striking of hammer by firing pin.

The cocking of pistol trigger mechanism is carrying out by pulling slide all the way back and release it. The slide, moving back, presses the hammer, which, returning around axis, compresses the firing spring, and engages spring sear by hammer spur of full cock. In rearmost position the top of slide reaches of back side of the magazine and allows put cartridge to the magazine lips in front of breeching face. During releasing the slide moves forward under the action of the compressed recoil spring, pushing the cartridge from the magazine to the cartridge chamber and in the extreme front position closes the cartridge chamber with chamber inside by breeching face. The extractor hook runs into circular part of the cartridge-case, and the hammer, engaged by spur of full cock with sear, remains cocked.

A shot is carried out by pressing the trigger. Herewith, the pull which is connected with the trigger, moves back in the internal cavity of the frame and presses on the shoulder-blades of the sear, returning it around an axis. The sear escapes from the engaging with the hammer spur of full cock and releases the hammer, which

6

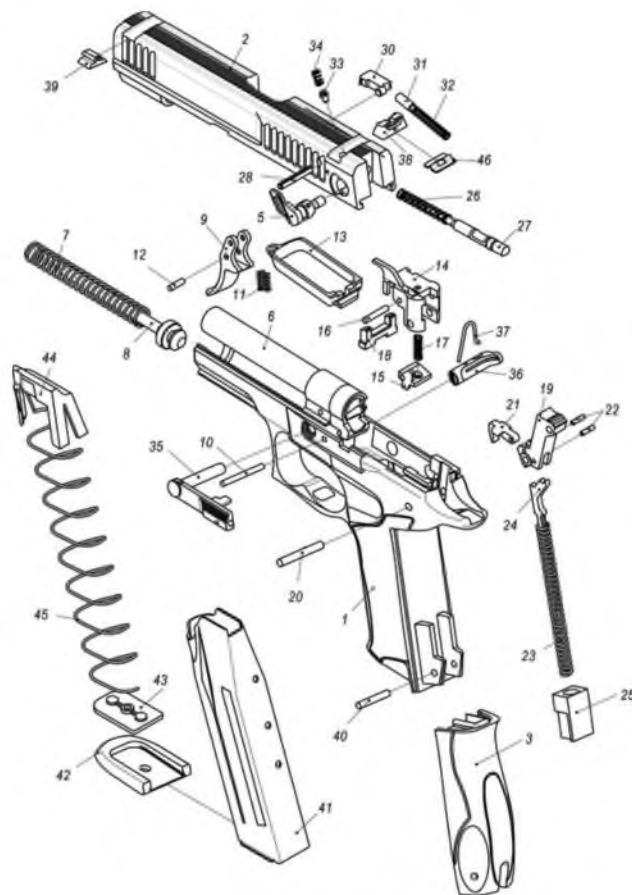


Figure 3

27

compressed. The pull, continuing to move back, slides on the inclining bevels of the ejector and escapes from crosscut ledge of the pusher hook and simultaneously with the back bevel presses the sear shoulder-blades, bringing it up around axis, which eliminates possibility of hammer cocking. The hammer is released and, under the pressure of the preliminary compressed firing spring, strikes out the firing-pin.

After shot by the last cartridge from the magazine, the slide is delayed in the extreme back position by slide stop, the spur of which enters into the slide cut by the action of the magazine follower ledge. By pressing the lever of the slide stop, the slide is released and moves in the front position.

The pistol construction eliminates the possibility of the firing-pin boom in the shooter direction during firing, and also the impossibility of accidental discharge:

- when the cartridge chamber is incompletely closed with breeching face;
- from inertial pricking while loading and discharging;
- at casual failure of a hammer before it will cocked while hand cocking;

1.5 Marking

At the pistol slide should be applied the following marking: a product and services mark of the manufacturer; shot title of the pistol - Fort 17R, caliber 9 mm P.A.; the words "Made in Ukraine"; national mark of

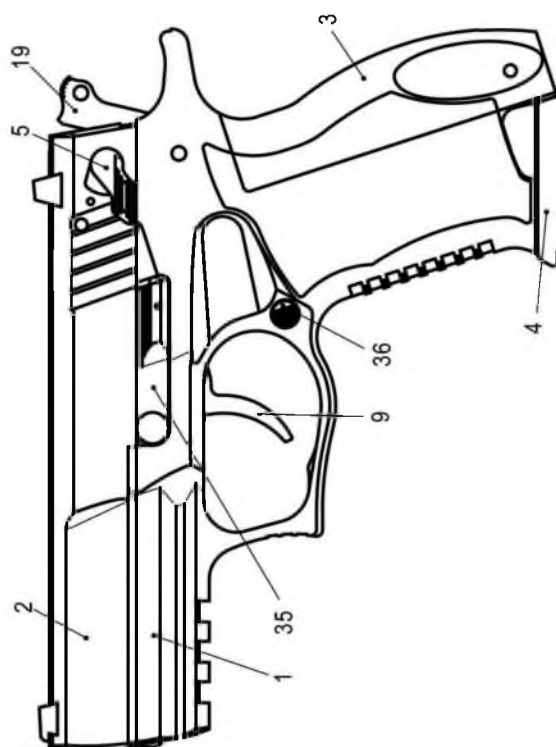


Figure 1

9 INFORMATION ABOUT CANNING AND PACKING

Device for shooting cartridges equipped with elastic bullets of non-lethal action "Fort-17R" caliber 9 mm P.A. factory number _____ is canned and packed in accordance with the requirements of the valid technical documents.

Executed preservation _____

Executed packing _____

Preservation date " ____ " _____ 20 ____

L.S.

24

5 STORAGE OF THE PISTOL

For a long-term storage of the pistol it is necessary to carry out its preservation. Procedure for the carry out preservation is done in the section 3.10 of this manual. After canning you should wrap up the pistol with paper.

Preserved and packed pistol must be stored in the closed storehouses, where temperature and humidity fluctuation are less than in open air.

Maximum storage term of the canned pistol is not more one year from the canning.

6 TRANSPORTATION

The pistol in the package of the original packing is transported by any transport for any distances: in the covered railroad car, covered cars, air-tight apartments of airplanes in accordance with the rules of transportation with the proper transport. During the transportation must be assured position of boxes, which excludes the possibility of their strokes at one another.

7 CERTIFICATE OF ACCEPTANCE

Device for shooting cartridges equipped with elastic bullets of non-lethal action "Fort-17R" caliber 9 mm P.A. factory number _____ is made and accepted in accordance with the requirements of the normative documents, technical documents and this pistol is recognized as suitable for exploitation.

Executed acceptance _____

L.S. " ____ " _____ 20 ____

22

conformity if given certificate of conformity. Serial number on the pistol frame and slide applied by shock method.

1.6 Packing

The pistol in completeness according to section 1.3 of this manual is packed in individual packing box suitable for storage.

2 PISTOL OPERATION

2.1 Safety measures

Before carrying out any actions with the pistol, it is necessary to learn all rules and methods of firing, operation principles and maintenance of the pistol, which are given in this manual.

During loading or discharging of the pistol, point the burrel in safe direction.

Discharge the pistol after firing, and before disassembling, cleaning and greasing.

Keep your finger away from the trigger until pistol is aimed to the target.

Keep the pistol and cartridges separately in places which are reliably closed and unattainable for others.

The pistol must be always clean and greased. Cleaning and greasing of the pistol should be done in accordance with instructions, which are given in section 3 of this manual.

Never load and do not keep the pistol loaded, if you don't going to fire.

The safety lever must be in the position "safe"

9

pistol. Keystroke of magazine fixation is accompanied by a specific sound.

2.3.2 For shooting with cocked hammer, point the barrel in a safe direction, turn the safety lever to "fire" position. Pull slide all the way back and release. The pistol is loaded and ready for firing (in the single action (cocked) mode).

Aim and pull the trigger. After the first shot, the hammer will automatically cock; case ejection through the ejection slot and next cartridge feeding to the camber will be done automatically. To continue shooting must release and press the trigger till using all magazine rounds.

2.3.3 For self-cocking firing aim pistol in safe direction, turn the safety lever of the position "fire". Pull the slide all the way back and release (cartridge is in the chamber, the trigger is cocked). Holding the hammer with your thumb, press the trigger and slowly move the hammer from full cock to half-cock. Pistol is ready to fire.

During the execution of the self-cocking shot, aim, pull the trigger after the first shot, cocking the hammer, case ejection through the ejection slot and feed a new cartridge into the chamber of the magazine – will be done automatically. To continue shooting it is necessary release and re-pull the trigger.

2.3.4 After firing the last cartridge from the magazine, the slide is held by slide stop in the rearmost position. Magazine is empty. To continue shooting, press magazine locking button and support the drop-down

11

(red dot on the slide is covered by safety lever) in such cases:

- when the pistol is keeping;
- when firing is stopped;
- when the magazine is installed in the handle housing;
- when the pistol is not used.

2.2 Preparation for firing

2.2.1 Checking of the pistol before firing.

Point the barrel of the pistol in safe direction, examine the external part of the pistol, safety lever must be in the position "safe" (red dot on the slide is covered by safety lever), press by thumb the magazine release, which is located on the left side of the pistol, and with another hand support falling magazine.

Aiming the pistol barrel in safe direction, turn the safety lever to "fire" position, pull the slide into extreme back position and examine the cartridge chamber through the slide slot, make sure that it is empty, release the slide and press the trigger, turn the safety lever to position "safe".

2.2.2 Magazine loading.

Keep magazine in the vertical position, place a cartridge on the magazine follower in front of magazine lips. Press on the cartridge and push it under the magazine lips, in the same way press another cartridges. To extract cartridges out the magazine, press the head of the cartridge case by thumb in the forward direction.

2.3 Loading and firing instructions

2.3.1 Make sure that safety lever is in the position "safe". Insert the loaded magazine in the handle of the

empty magazine. Load the magazine and insert it into the handle. Press the slide stop lever downwards. Pistol loaded again and ready to fire.

2.3.5 After the shooting, if not all rounds are used the slide is in forward position. Move the safety lever in the "safe" position. If cartridges are fully used slide is held by slide stop in the rearmost position. Press the slide stop lever down, slide will set to the forward position; remove the safety lever to the "safe" position.

2.4 Unloading of the pistol

Be sure that safety lever is in the position "safe". Remove magazine. Point the pistol barrel in safe direction, turn the safety lever in the position "fire" and pull the slide in the rearmost position, if cartridge was in the chamber - eject it through ejection slot.

Check the cartridge chamber, make sure that it is empty, release the slide, press the trigger, and turn the safety lever in the position "safe".

Pick up the drawn cartridge, pull out the unused cartridges from the magazine, and insert the magazine in the pistol handle.

2.5 Handling operations in case of firing delay

The list of delays and handling operations are below:

- 1) if you pull the trigger and hammer is released, but the shot failed - reload the gun and continue shooting;
- 2) slide did not reach the extreme front position after the automatic reloading and hammer is not released

8 WARRANTY

The manufacturer guarantees conformity of the pistol to the requirements of the normative documents at the observance of the exploitation rules, transportation and storage, which are described in this manual.

The warranty is 12 months from the shipping date.

SIA "FORT" removes discovered defects during the warranty free of charge, under the condition of observing all the rules of exploitation and pistol storage, which are mentioned in this manual.

For fulfilling the guarantee repair the owner must send the pistol and this manual to SIA "FORT" to address:

**600-richchya Street, 27, Vinnitsya,
21027, Ukraine**

SIA "FORT" repairs the pistol after the end of warranty for the owner's cost.

End of table 4.1

Name of failure while shooting	Possible reason	Troubleshooting method
Pinching the cartridge between the face of the slide and barrel body while sending the cartridge to the chamber	1 Magazine pollution.	1 Pull out the magazine, take the slide back, pull out the pinched cartridge. Go on firing.
	2 Straightening of the magazine lips.	2 Unload the pistol, change the magazine. Send the defective magazine to the workshop.
	3 The magazine is not fixed by button	3 Pull out the magazine. Take the slide back, pull out the damaged cartridge, insert magazine, go on firing.
	1 Bore pollution.	Unload and disassembly the pistol, push by wiper cartridge in cartridge chamber direction. Clean the bore, check the disassembled pistol, if there no extractor - sent the pistol to the workshop, align ejector if it is bend
	2 Cartridge defect	

4 POTENTIAL PROBLEMS

Common troubles and remedies are listed in table 4.1

Name of failure while shooting	Possible reason	Troubleshooting method
Misfire. The slide is in the extreme front position, the hammer is decocked, but the shot is failed	1 Cartridge defect. 2 Condensation of lubricant; firing-pin channel is polluted or the firing-pin is rubbed out 3 Precipitating or fracture of the hammer spring	1 Reload the pistol. Carry out the shot. 2 Unload the pistol, disassemble it, examine and clean. If firing-pin is rubbing out, send the pistol to the workshop. 3 Unload the pistol and send it to the workshop.
Delay of a cartridge by the slide. The slide stopped without reaching the extreme front position. Hammer did not cocked	1 Cartridge chamber pollution. 2 Damage or precipitation of the recoil spring	1 Push the slide manually forward and go on firing. 2 Discharge the pistol and send it to the workshop.
Cartridge-case is jammed by the slide. The slide is in the rear position and it is impossible to push it by hand forward.	1 Contamination of the pistol movements parts. Poor round charge. 2 The ejector is out of the order.	1 Pull out the magazine, take the slide back, throw away the cartridge-case and go on firing. 2 Unload the pistol and send it to the workshop.

3.8 Lubrication and assembly of the pistol

After cleaning and inspection of the disassembled pistol, components and pistol mechanisms lubricate by lubricating oil.

Apply a thin coat of oil with a cloth moistened with oil and squeezed out.

Remove oil flows by dry cloth.

Carry out assembling of the pistol and magazine in the reverse sequence as described in section 3.3 "Field stripping instructions", 3.4 "Disassembly the pistol" and 3.5 "Disassembly the magazine".

3.9 Inspection of the pistol function

Without inserting magazine into magazine direct pistol barrel in a safe direction, turn the safety lever to "fire".

Take the slide in rearmost position and inspect the chamber through a slide slot, it must be empty.

Release the slide, under the action of recoil spring it should be set in the forward position, the hammer should remain on "fire" position.

Press the trigger (idle detent position). Put safety lever to the "safe." The hammer is fixed in the safety position. Slide is coupled with the frame. While pressing the trigger (self-cocking) hammer is not cocked. Put safety lever to "fire", cock hammer by pressing it by thumb, place the safety lever to the "safe". Press the trigger. The hammer is fixed and not cut down from cocked position, slide is coupled with frame.

- move with your hand the slide forward and continue firing, if it is impossible, follow the actions according to 2.5 list 3;

3) during automatic reloading when the cartridge is jammed between the face of slide and breech - point the barrel in a safe direction, press the magazine locking button and disconnect magazine, pull back the slide, pull out the jammed cartridge, insert loaded magazine, reload the pistol and continue shooting.

3 TECHNICAL MAINTENANCE

3.1 General

Carry out maintenance of the pistol immediately after shooting.

With a large number of shoots for one day, carry maintenance after every 60 rounds.

If the pistol is not used, maintenance is made weekly.

Sequence of maintenance:

- disassemble the pistol and the magazine;
- clean the pistol and magazines;
- check the disassembled pistol;
- lubricate and assemble pistol;

- check the operation of the pistol after assembling.

3.2 Preparation for disassembly

Direct the pistol barrel in a safe direction, press the magazine locking button and support the falling magazine.

Push out the hammer axis by drift pin or by hammer spring lever. Pull out sear housing with ejector from the frame, pulling it upwards, and then pull the interrupter and hammer. Holding by hand ejector, disconnect interrupter, push out sear axis and remove the sear and sear spring from ejector.

By wiper through the slot of handle retract right (curved) end of magazine locking button spring left/up so, that curved end run out deepening of button, holding spring pull out it direct end from button hole, push the spring out frame groove, then pull magazine locking button out of frame hole.

Push out the trigger axis by drift pin and pull down the trigger so, that its end enter into hole of trigger bow, herewith connectivity node of trigger with pull will be out of frame.

Push out the trigger spring axis by drift pin, separate trigger from pull and trigger spring. Pull out trigger and pull through top frame slot.

Press by wiper on rear part of firing pin against stop. By turning safety lever, pull out it from slide seat.

Push out the firing-pin plug by drift pin at right or left side of slide. Holding by hand firing pin, pull out drift pin, then separate firing pin and slide, spring and firing pin.

Press by wiper extractor plunger, while pressing the extractor fore quarter by the finger and turning it around the hook end and pull from the slide seat. Remove plunger and spring from slide hole.

Turn the safety lever in the position "fire". Pull the slide in rearmost position. Check the cartridge chamber and make sure that it is empty. Release the slide.

The pistol is discharged; safety lever in the position "fire". The hammer is cocked.

3.3 Field stripping instructions

Lift up the rear edge of the slide stop lever and then press the slide stop axis by cleaning brush or magazine at right side of pistol. Draw out the slide stop.

Pull the slide in rearmost position, lifting edge of the slide, and releasing it forward remove it from the barrel. Draw out recoil spring guide.

3.4 Complete disassembly of the pistol

It is not recommended to carry out complete disassembling often, because it leads to premature wear of the pistol mechanism.

Carry out complete disassembling only in case strong pollution or operation is severe conditions (rain, snow, sand dust, high humidity). Carry out field stripping of the gun as directed by section 3.3 of this manual.

Holding the hammer with your thumb, pull the trigger, slowly pull the hammer from full cock to half cock.

Knock the axis of back plate by drift pin and disconnect the back plate from frame, tilting it back.

Put drift pin in stop of hammer spring and separate it from frame ledges, remove the stop from lever and the lever from firing spring.

14

3.5 Disassembly the magazine

Before disassembly of the magazine, take out all the cartridges. Press magazine floor plate by the drift pin and carefully move it forward, holding the bottom of the magazine. Put out the bottom and magazine spring with follower.

3.6 Cleaning of the pistol

Cleaning of the pistol carry out by special lubricating oil, cleaning of the barrel channel carry out by special cleaning fluid in the following order.

Clear bore:

- stretch square of cloth through the wipe port. Mat thickness of cloth should be such that the cleaning brush enters into the bore with little effort;
- moist the cloth by lubricating oil;
- insert the cleaning brush in the bore and slowly slide it along the length of the bore several times;
- replace the cloth and clean again;
- repeat cleaning as long as on a clean cloth will not remain traces of dirt or soot;
- wipe dry the bore by clean and dry cloth.

Clean the slide from dirt and moisture with a cloth moistened with lubricating oil and squeeze. Thoroughly clean the place around ejector and firing pin.

The rest of the details and mechanisms, as well as magazine body, wipe dry with a cloth to the complete removal of traces of soot, dirt and moisture.

16

Insert the magazine and check its fixation in the handle of the pistol.

Put safety lever to "fire", pull the slide to the rearmost position and release it. The slide is held in the rearmost position by slide stop. Press the slide stop lever, slide is installed in the front position, the hammer is cocked, press the trigger.

Pull out the magazine, pull the slide to the rearmost position and release, the slide sets in the front position, the hammer is cocked, press the trigger, the hammer hits firing pin. Press the trigger, the hammer cocks and not stopped in a safety position, hits the firing pin (self-cocking firing).

3.10 Preservation

The manufacturer carries out canning/preserving of the pistol. Maximum term of storage of the pistol without repeated preservation is no more than one year.

For depreservation of the pistol it is necessary to carry out its disassembly and cleaning, in accordance with section 3 of this manual.

At achieving the maximum term of its storage or in the case when the pistol is not used for a long time, it is necessary to carry out depreservation by using the method of putting thick layer of lubricating oil on its internal and external surfaces.

Use the wiper, which is included in the complete set of supply, square of cloth and lubricating oil during carrying out of the pistol preservation and depreservation.

19

NOTE. During the first cleaning it is necessary to clean storage compound, carefully wiping details with the square of cloth, which is slightly moistened by weapon lubricating oil and squeezed out.

3.7 Inspection of the disassembled pistol

The inspection of the disassembled pistol is carried out after cleaning.

There should not be any defects on details that affect the working capacity, durability and safety of the pistol, namely:

- there must be no deformation, swellings and splits on the barrel and the chamber;
- there must be no crack, stratifications, metal breach on the slide;
- there must be no breaks, especially in the back part and the seat of the hammer, on the frame;
- the firing pin should move freely in the slide channel;
- there must be no chips on the extractor hook and hammer head;
- there must be no cracks and layers on the magazine lips;
- magazine lips must not be deformed;
- all details of pistol must have no any disunities, deformations and blight.

17